

MOBILE DRESSING SPINDLE



Innovative grinding technology since 1895

Dressing tools



- For machines without rotating dressing device
- Wide speed range
- Speed detection with readjustment
- Left & right rotation
- Easy to use
- Quick installation

MOBILE DRESSING SPINDLE

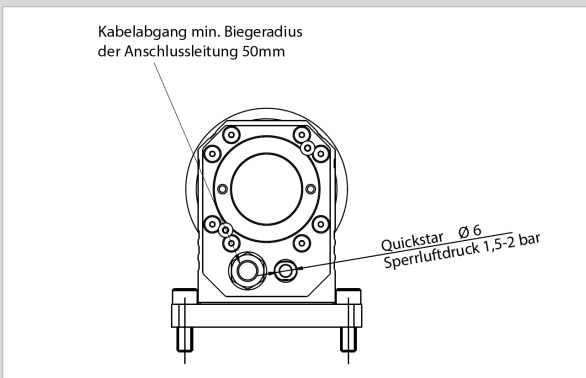
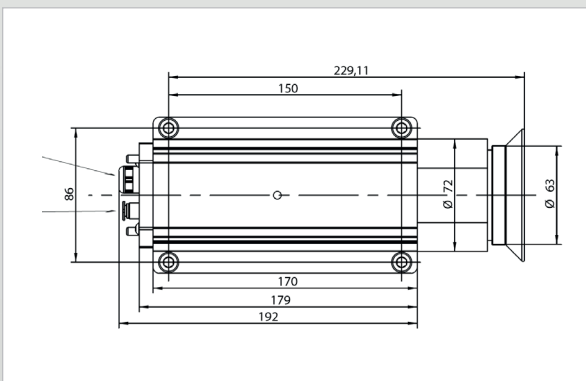
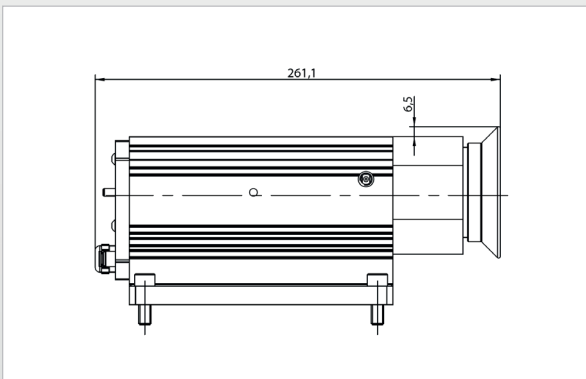
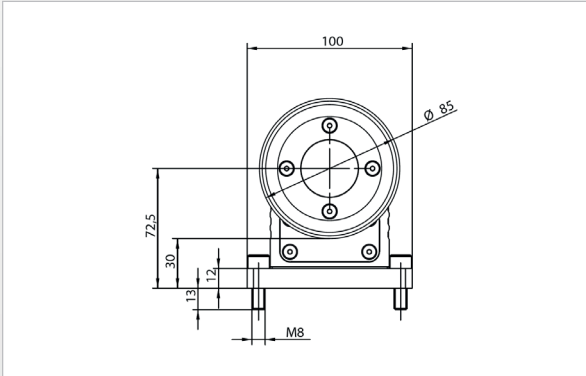


Innovative grinding technology since 1895

Mobile dressing system for any machine One system - 3 components

A fixed dressing system is not always required. Universally applicable and mobile systems are the better way for many users - especially for smaller companies. For this purpose we have developed the perfect solution: KREBSDRESS is a mobile dressing spindle system that can easily be used on any machines without rotating dressing technology. In the same way, it can also be installed in new machine systems. With KREBSDRESS ceramic bonded CBN and diamond grinding wheels can be dressed and conditioned. The spindle is equipped with a mounting plate for easy and quick installation.

The system offers ideal adaptation possibilities to the respective dressing situation. These include a wide speed range, actual speed detection with readjustment, selection of right and left rotation, and the possibility of very simply designed integration into the machine control system. In order to be able to achieve the workpiece qualities required today, a very high concentricity and sturdiness of the dressing spindle is required, which is ensured by a sophisticated design as well as high-precision and maintenance-free bearings Made in Germany.



Technical data	
Speed range	1.500 - 15.000 U/min.
Voltage / Frequency	230V / 50-60Hz
Power input	ca. 1,7A
Power output	ca. 300 watts
Torque	20 Ncm
Spindle cable	oilproof, 7 m with 7-pin plug
Sealing air connection	Ø 6 mm
Seal air	1 - 2 bar
Protection type	IP 66 with connected sealing air connection
Protection class	I
Right/left rotation	yes
Bearing	Precision spindle bearing Made in Germany
Dimensions spindle	261 x 100 x 115 mm
Weight spindle	6 kg



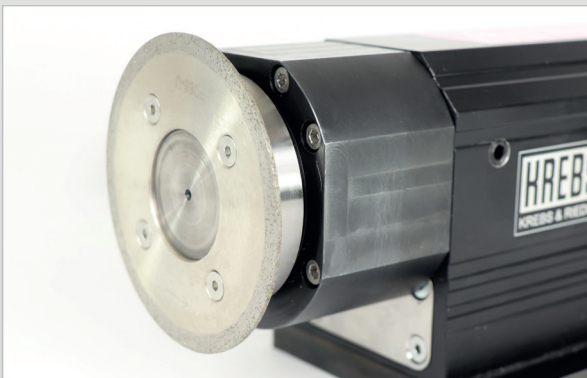
The dressing spindle - Heart of the system

The spindle is the most important component in the dressing system. It is about the size of an envelope and can therefore be used flexibly and universally. In order to guarantee precise work and a long service life, the spindle is supplied with sealing air to protect it from moisture and dirt and cools the spindle. The exact dimensions and technical data of the spindle can be seen in the drawings and table overleaf/on the next page. Not designed for continuous operation. Recommendation: Use with sealing air! Sealing air hose is not included in the scope of delivery.



The control unit - Modern control center

The control unit is equipped with a sensitive touch screen for easy handling. Like the spindle, the control unit is also ultra-compact: it's just about the size of a sheet of paper, and the height is less than 6 cm. The entire system is always ready for use no matter where it is needed. The complete system will be delivered in a padded portable case for protection. All technical data is listed in the table overleaf/on the next page.



Operating panel BT-01 | Technical Data

Voltage / frequency	230 V AC / 50-60 Hz
Operating elements	Main switch, motor on/off, speed, operating mode
Display	70 x 38 mm, blue backlit
Fuse in control panel	10AT and 1AT, size 5 x 20 mm
Dimensions	294 x 185 x 57 mm
Weight	1 kg
Max. operating temperature and humidity	40° C at max. 50 % RH



The dressing tool - For most common dressing applications

The dressing spindle can be equipped with different dressing tools. With type FD85, a dressing wheel is already included that covers the most common dressing applications. For special applications, we also offer individually manufactured dressing tools. Ask us about it!